



Pedestal- 1
Colour Code:
Laminate : 10002
W 400 x D 560 x H 540



Pedestal- 2
Colour Code
Laminate : 10175 & 21028
W 440 x D 580 x H 600



Pedestal- 3
Colour Code
Laminate : 10036
W 400 x D 450 x H 680



Pedestal- 4
Colour Code:
Laminate : 21059
W 400 x D 450 x H 680



Pedestal- 5
Colour Code:
Laminate : 10012 & 21059
W 400 x D 600 x H 605



Pedestal- 6
Colour Code:
Laminate : 22059
W 400 x D 450 x H 680



Pedestal- 7
Colour Code:
Laminate : 10591
W 400 x D 450 x H 680



Pedestal- 8
Colour Code:
Laminate : 10012
W 400 x D 450 x H 680



Pedestal- 9
Colour Code
Laminate : 10544
W 400 x D 450 X H 580



Storage- 1
 Colour Code: Laminate : 10175 & 21028
 W 1800 x D 400 x H 2000



Storage- 2
 Colour Code : Laminate : 10002
 W 1200 x D 400 x H 1850



Storage- 3
 Colour Code : Laminate : 10858 & 11005
 W 1600 x D 550 x H 2000



Storage- 4
 Colour Code ; Laminate : 10858 & 11005
 W 900 x D 450 x H 2000



Storage- 5
 Colour Code : Laminate : 11005 & 10858
 W 900 x D 450 x H 750



Storage - 6
 Colour Code : Laminate : 10002
 W 900 x D 450 x H 750



Storage- 7
 Colour Code : Laminate : 10039
 W900 X D400 X H 900



Pigeon Hole
 Colour Code : Laminate : 10002
 W 900 X D 450 X H 2100



Storage- 8
 Colour Code : Laminate : 11005 & 10019
 W 1800 x D 450 x H 750

Storage Collection



Storage- 9

Colour Code : Laminate : 10002
W 1500 x D 450 x H 750



Storage- 10

Colour Code : Laminate : 10002
W 900 x D 450 x H 2100



Storage- 11

Colour Code : Laminate : 11005 & 10019
W 900 x D 450 x H 1200



Storage- 12

Colour Code : Laminate : 14620
W 1800 x D 450 x H 900



Storage- 13

Colour Code : Laminate : 10894, 22091
W1600 X D450 X H1240



Storage- 14

Colour Code : Laminate : 10591, 22091
W900 X D450 X H2100



Storage- 15

Colour Code : Laminate : 14675
W900 X D450 X H2100



Storage- 16

Colour Code : Laminate : 22091
W1200 X D450 X H950 + 250



Manhattan- 2 (Veneer)

Colour Code : Paldao & American White Ash Veneer
L 3000 X D 450 X H 900
L 2400 X D 450 X H 900

**Steel
Storage**

Ease and comfort of
keeping your files is here





GMS- 1
Vertical Filing Cabinet
(4 Drawer)
W 470 X D 620 X H 1320 mm
Thickness 0.8 mm
Colour Code : Powder Coating :
Tex off White/Kangaroo Green



GMS- 2
Vertical Filing Cabinet
(3 Drawer)
W 470 X D 620 X H 1040 mm
Thickness 0.8 mm
Colour Code : Powder Coating :
Tex off White/Kangaroo Green



GMS- 3
Vertical Filing Cabinet
(2 Drawer)
W 470 X D 620 X H 710 mm
Thickness 0.8 mm
Colour Code : Powder Coating :
Tex off White/Kangaroo Green



GMS- 7
Lateral Filing Cabinet
(4 Drawer)
W 900 X D 450 X H 1325 mm
Thickness 0.8 mm
Colour Code : Powder Coating :
Tex off White/Kangaroo Green



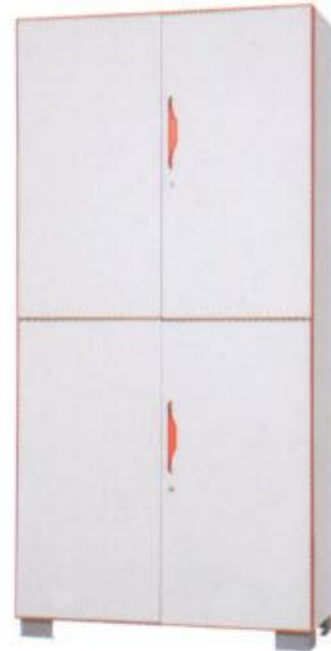
GMS- 8
Lateral Filing Cabinet
(3 Drawer)
W 900 X D 450 X H 1040 mm
Thickness 0.8 mm
Colour Code : Powder Coating :
Tex off White/Kangaroo Green



GMS- 9
Lateral Filing Cabinet
(2 Drawer)
W 900 X D 450 X H 715 mm
Thickness 0.8 mm
Colour Code : Powder Coating :
Tex off White/Kangaroo Green



GMS- 10
Steel Almirah (2 Doors)
(4 Adjustable Shelves)
W 900 x D 450 x H 1830 mm
Thickness 0.8 mm
Colour Code : Powder Coating :
Tex off White/Kangaroo Green



GMS- 11
Steel Almirah (4 Doors)
(2 Adjustable Shelves)
W 900 x D 450 x H 1830 mm
Thickness 0.8 mm
Colour Code : Powder Coating :
Tex RLt White/Orange



GMS- 12
Steel Almirah (2 Glass & 2 Steel Doors)
(2 Adjustable Shelves)
W 900 x D 450 x H 1830 mm
Thickness 0.8 mm
Colour Code : Powder Coating :
Tex RLt White/Orange



GMS- 13
Steel Almirah (2 Glass & 2 Steel Doors, 2 Drawer)
(1 Adjustable Shelves)
W 900 x D 450 x H 1830 mm
Thickness 0.8 mm
Colour Code : Powder Coating :
Tex off White/Kangaroo Green



GMS- 21
Steel Personal Locker (6 Doors)
W 900 x D 450 x H 1830 mm
Thickness 0.8 mm
Colour Code : Powder Coating :
Tex off White/Kangaroo Green



GMS- 22
Steel Personal Locker (4 Doors)
W 900 x D 450 x H 1830 mm
Thickness 0.8 mm
Colour Code : Powder Coating :
Tex off White/Kangaroo Green



Steel Storage Collection



GMS- 23
Mobile Pedestal
 (2 Drawer, 1 Filing)
 W 400 x D 560 x H 560 mm
 Thickness 0.8 mm
 Colour Code : Powder Coating :
 Tex Rlt White/Orange



GMS- 24
Fix Pedestal
 (2 Drawer, 1 Filing)
 W 390 x D 590 x H 645 mm
 Thickness 0.8 mm
 Colour Code : Powder Coating :
 Tex off White/Kangaroo Green



GMS- 25
Steel Almirah (2 Doors)
 (4 Adjustable Shelves)
 W 915 x D 485 x H 1980 mm
 Thickness 0.8 mm
 Colour Code : Powder Coating :
 Tex Dark Cream/Wood Brown



GMS- 26
Steel Almirah (2 Doors)
 (2 Adjustable Shelves)
 W 915 x D 485 x H 1200 mm
 W 760 x D 430 x H 1270 mm
 Thickness 0.8 mm
 Colour Code : Powder Coating :
 Tex Dark Cream



GMS- 27
Steel Personal Locker
 W 1900 x D 450 x H 1800 mm
 Thickness 0.8 mm
 Colour Code : Powder Coating :
 Tex Phill Gray



GMS- 28
Filing Cabinet
 (2 & 3 Drawer)
 2 Drawer - W 660 x D 450 x H 760 mm
 3 Drawer - W 660 x D 450 x H 1060 mm
 Thickness 0.8 mm
 Colour Code : Powder Coating :
 Tex Dark Cream/Wood Brown



GMS- 29
Steel Almirah (2 Doors)
(1 Adjustable Shelf)
Thickness 0.8mm
W 900 X D 450 X H 750 mm
Colour Code : Powder Coating :
Ral 7035/Ivory



GMS- 30
Lateral Filing Cabinet (3 Drawers)
Thickness 0.8mm
W 900 X D 450 X H 900 mm
Colour Code : Powder Coating :
Tex Phill Gray



GMS- 31
Steel Mobile Pedestal
(2 Drawers, Wooden Facia)
Cushion Seat
Thickness 0.8mm
W 400 X D 450 X H 600 mm
Colour Code : Laminate : 10091
Powder Coating : Tex Phill Gray



GMS- 33
Steel Mobile Pedestal
(2 Drawers, 1 Filing)
Thickness 0.8mm
W 390 X D 435 X H 675 mm
Colour Code : Powder Coating :
Tex RLT White





GMS- 14
Steel Almirah (2 Doors)
(4 Adjustable Shelves)
W 915 x D 485 x H 1980 mm
Thickness 0.8 mm
Colour Code : Powder Coating :
Tex Phill Gray



GMS- 15
Steel Almirah (2 Doors)
(2 Adjustable Shelves)
W 900 x D 450 x H 930 mm
Thickness 0.8 mm
Colour Code : Powder Coating :
Tex Phill Gray



GMS- 16
Steel Almirah (2 Doors)
(1 Adjustable Shelves)
W 900 x D 450 x H 730 mm
Thickness 0.8 mm
Colour Code : Powder Coating :
Tex Phill Gray





GMS- 17
Steel Library rack (Double Face)
W 940 x D 600 x H 2110 mm
Thickness 0.8 mm
Colour Code : Laminate : 10012
Powder Coating : Tex Off White



GMS- 18
Steel Library rack (Single Face)
W 925 x D 300 x H 1800 mm
Thickness 0.8 mm
Colour Code : Laminate : 10012
Powder Coating : Tex Silver



GMS- 19
Metal Book Case (4 Doors)
W 915 x D 320 x H 1750 mm
Thickness 0.8 mm
Colour Code :
Powder Coating : Brown/C.G Ivory



GMS- 20
Steel Slotted Angle rack
W 900 x D 300 x H 1800 mm
W 900 x D 450 x H 1800 mm
W 900 x D 600 x H 1800 mm
Colour Code :
Powder Coating : Tex Phill Gray



GMS- 41
Steel Almirah (2 Doors)
(4 Adjustable Shelves)
Thickness 0.8mm
W 915 X D 485 X H 1980 mm
Colour Code :
Powder Coating : Tex Phill Gray



GMS- 42
Steel Almirah (2 Glass Sliding Doors)
(2 Adjustable Shelves)
(2 Swing Doors)
(2 Adjustable Shelves)
Thickness 0.8mm
W 915 X D 455 X H 1850 mm
Colour Code :
Powder Coating : Tex Silver



GMS- 43
Steel Almirah (2 Glass Doors)
(4 Adjustable Shelves)
Thickness 0.8mm
W 915 X D 485 X H 1980 mm
Colour Code :
Powder Coating : Tex Phill Gray





GMS- 44
Steel Almirah (2 Doors)
(2 Adjustable Shelves)
Thickness 0.8mm
W 900 X D 400 X H 1125 mm
Colour Code :
Powder Coating : Tex RLT White/Orange



GMS- 45
Steel Personal Locker
(2 Separate Doors for Individual use)
(1 Hanging Rod)
(1 Adjustable Shelf, 1 fixed shelf)
Thickness 0.8mm
W 900 X D 500 X H 1870 mm
Colour Code :
Powder Coating : Tex RLT White/Blue



GMS- 46
Steel Personal Locker
(2 Separate Doors for Individual use)
(1 Hanging Rod)
(1 Adjustable Shelf, 1 fixed shelf)
Thickness 0.8mm
W 900 X D 500 X H 1870 mm
Colour Code :
Powder Coating : Brown/Satin white





GMS- 47
Vertical Filing Cabinet
2 Drawer - W 440 X D 620 X H 710 mm
3 Drawer - W 440 X D 620 X H 1000 mm
4 Drawer - W 440 X D 620 X H 1310 mm
Thickness 0.8mm
Colour Code :
Powder Coating : Black/Satin White



GMS- 48
Steel Overhead Unit
(2 Swing Doors)
Thickness 0.8mm
W 900 X D 400 X H 350 mm
Colour Code :
Powder Coating : Tex RLT White/Orrange



GMS- 49
Steel Mobile Pedestal
(2 Drawers, 1 Filing)
Thickness 0.8mm
W 395 X D 550 X H 595 mm
Colour Code :
Powder Coating : Kangaroo Green/Satin white



GMS- 50
Steel Mobile Pedestal
(2 Drawers, 1 Filing)
Thickness 0.8mm
W 395 X D 550 X H 595 mm
Colour Code :
Powder Coating : Black/Satin White



GMS- 51
Steel Personal Locker
(2 Doors)
(1 Hanging Rod)
Thickness 0.8mm
W 380 X D 450 X H 1800 mm
Colour Code : Powder Coating :
Satin Traffic White/Kangaroo Blue



GMS- 52
Steel Personal Locker
(4 Doors)
Thickness 0.8mm
W 380 X D 450 X H 1800 mm
Colour Code : Powder Coating :
Satin Traffic White/Wine Red



GMS- 57
Steel Personal Locker
(3 Doors)
Thickness 0.8mm
W 380 X D 450 X H 1800 mm
Colour Code : Powder Coating :
Satin Traffic White/Matt Pink



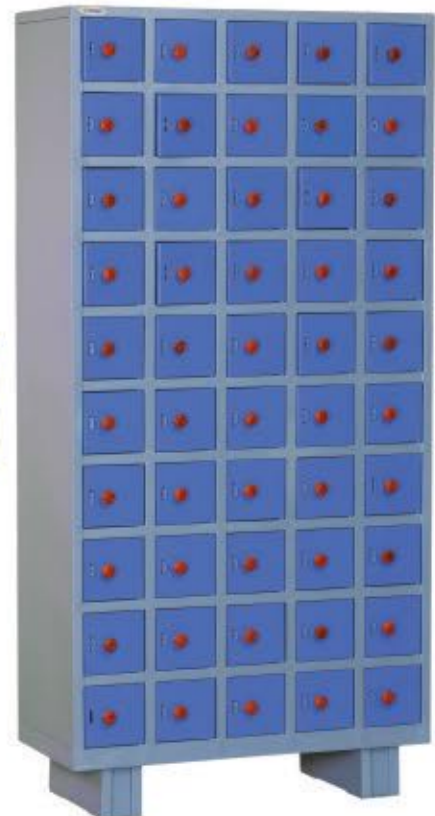
GMS- 58
Steel Personal Locker (Digital Lock)
(12 Doors)
Thickness 0.8mm
W 1100 X D 450 X H 1870 mm
Colour Code : Powder Coating :
Body - Tex DA Gray
Door - Tex Munshell Gray
Door - Tex Off White



The complete solution for storage in the workplace, creating space to store personal & professional belongings securely.



GMS- 59
Steel Personal Locker
(15 Doors)
Thickness 0.8mm
W 900 X D 400 X H 1850 mm
Colour Code : Powder Coating :
Body - Tex Silver Gray
Door - Kangaroo Blue



GMS- 60
Steel Mobile Locker
(50 Doors)
Thickness 0.8mm
W 900 X D 400 X H 1850 mm
Colour Code : Powder Coating :
Body - Tex Silver Gray
Door - Kangaroo Blue



GMS- 61
Sliding Door Storage Unit
Thickness 0.8mm
W 900 X D 450 X H 980 mm
Colour Code : Powder Coating :
Satin Traffic White



GMS- 63(Shoe Rack)
W900 x D400 x H1200 (5 Shelves)
W900 x D400 x H900 (4 Shelves)
W900 x D400 x H750 (3 Shelves)
Colour Code :DA Grey



GMS- 64 (Shoe Rack)
W900 x D400 x H1200 (5 Shelves)
W900 x D400 x H900 (4 Shelves)
W900 x D400 x H750(3 Shelves)
Colour Code : Body :DA Grey
Shutters:Satin Traffic White



GMS- 62
Magazine Rack
Thickness 0.8mm
W 900 X D 450 X H 1850 mm
Colour Code : Powder Coating :
Satin Traffic White

Optimize the space with innovative Compactor solutions



Cache Series

Mobile storage systems are three times more space efficient than conventional filing and shelving at half the cost.

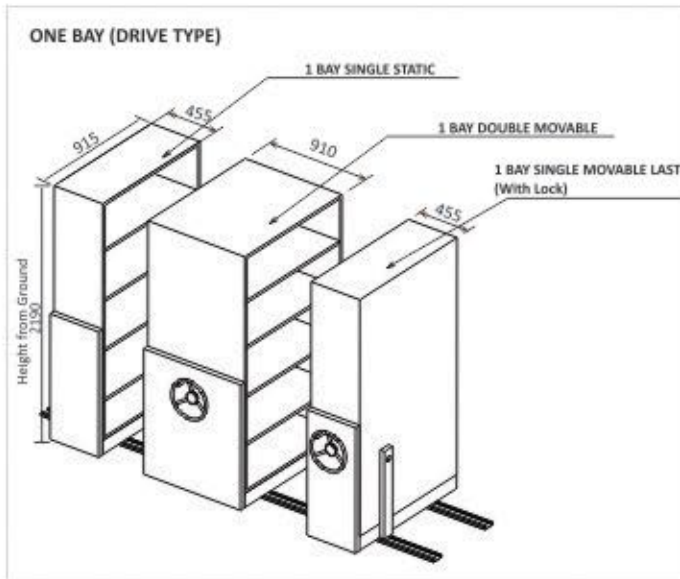


When storage needs outgrow available space, the problem usually tackled with a move to larger premises, an expensive option. But there is an alternative, you can increase storage efficiently with a mobile shelving system, that :

- A. Saves Money
- B. Boost Efficiency
- C. Improves your Working Environment

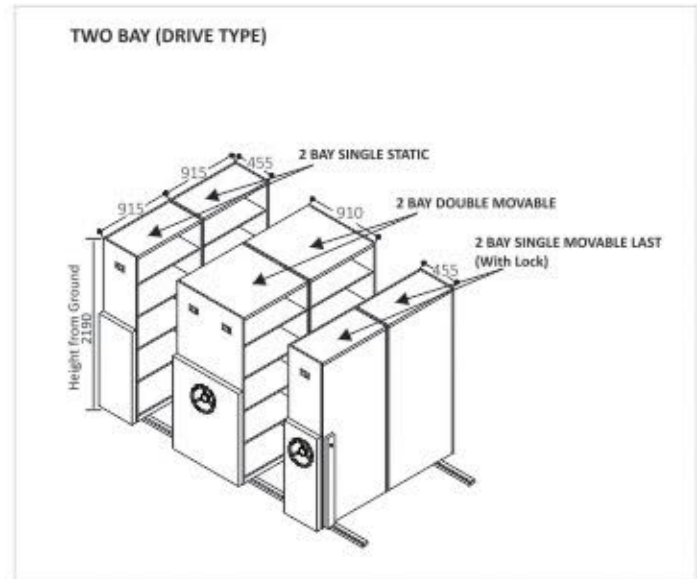
Cache Series

ONE BAY (DRIVE TYPE)



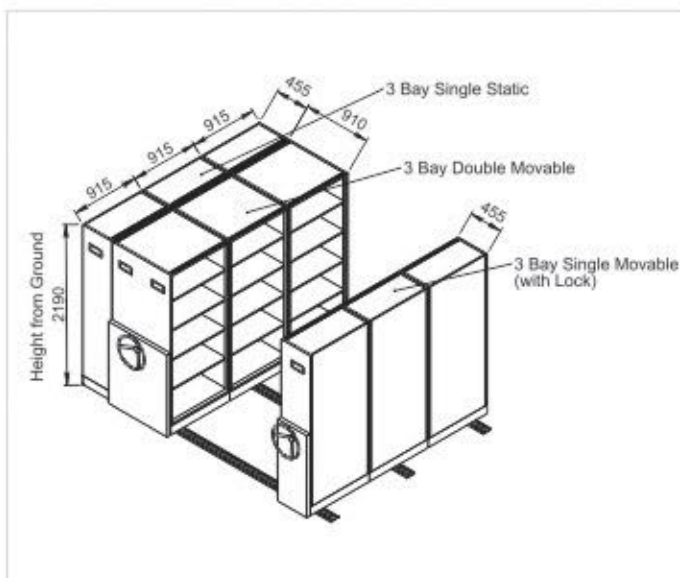
Cache- 1

TWO BAY (DRIVE TYPE)



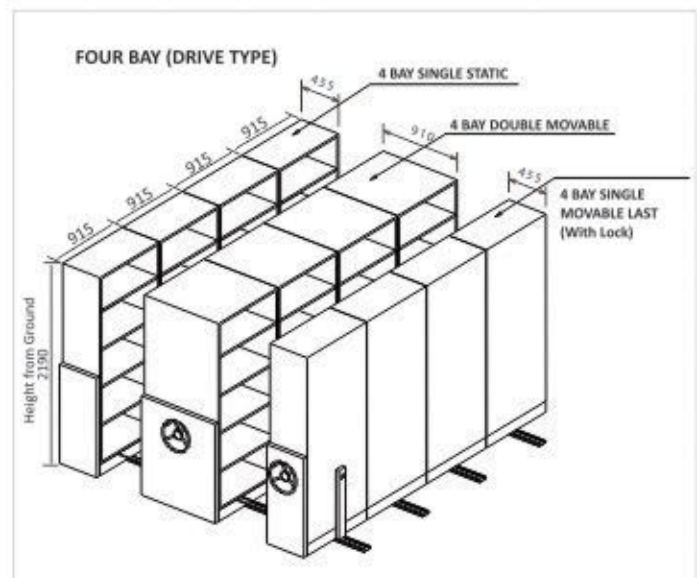
Cache- 2

THREE BAY (DRIVE TYPE)



Cache- 3

FOUR BAY (DRIVE TYPE)



Cache- 4

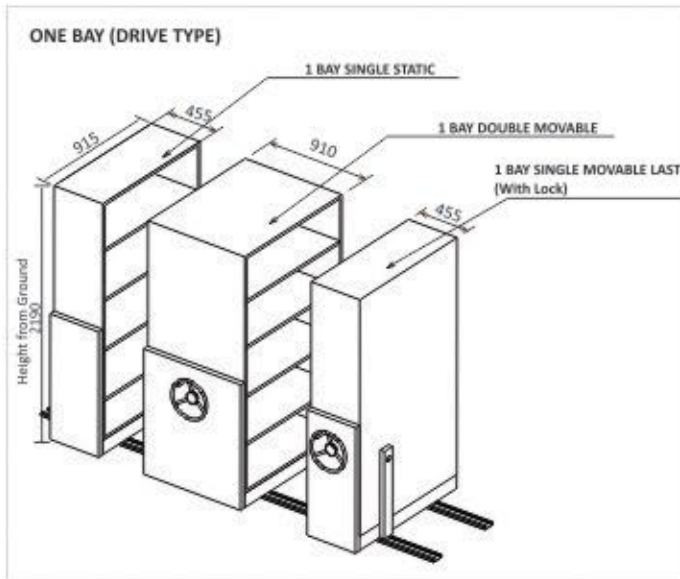
Cache Series



Colour Code:
22099 & 22091

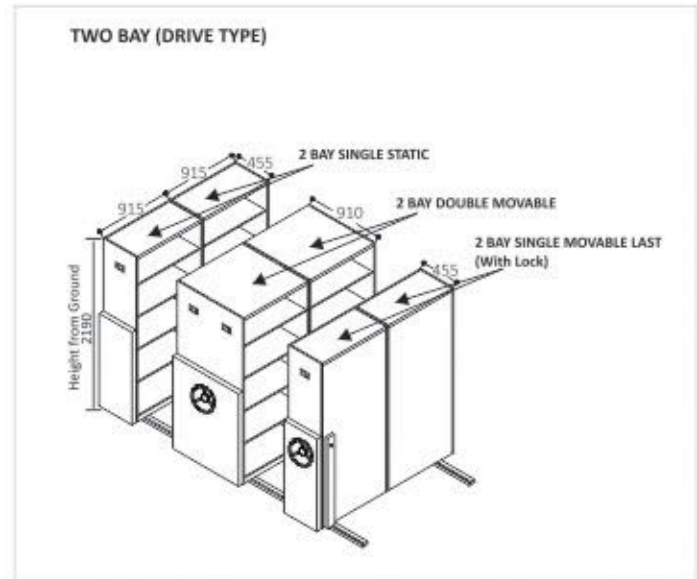
Cache Series

ONE BAY (DRIVE TYPE)



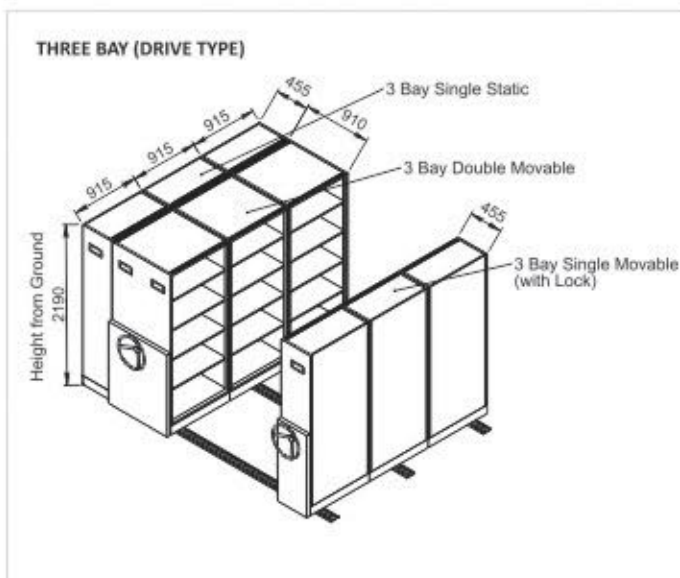
Cache- 5

TWO BAY (DRIVE TYPE)



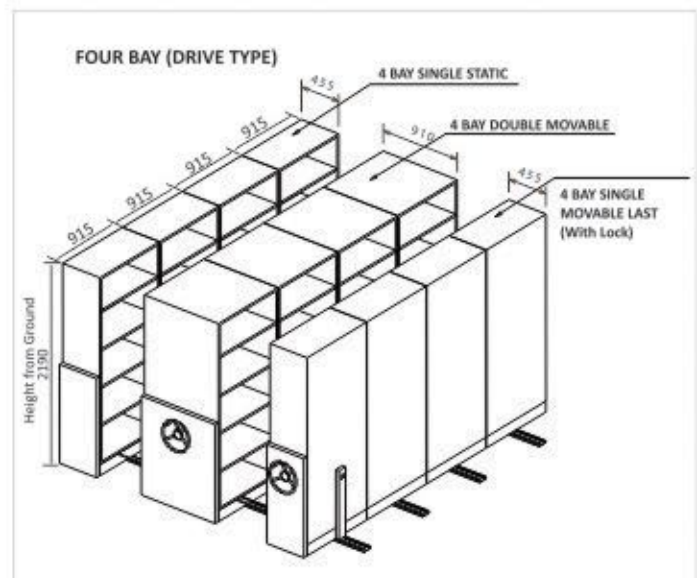
Cache-6

THREE BAY (DRIVE TYPE)



Cache- 7

FOUR BAY (DRIVE TYPE)



Cache- 8

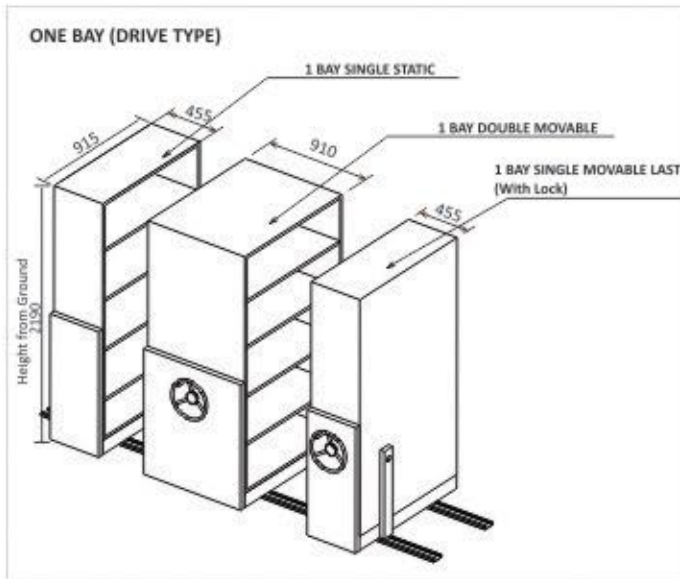
Cache Series



The system can be opened by rotating ergonomically designed handles. Ideal for medium-sized storage systems with higher activity levels, heavier load factors, greater carriage lengths and a larger number of system ranges.

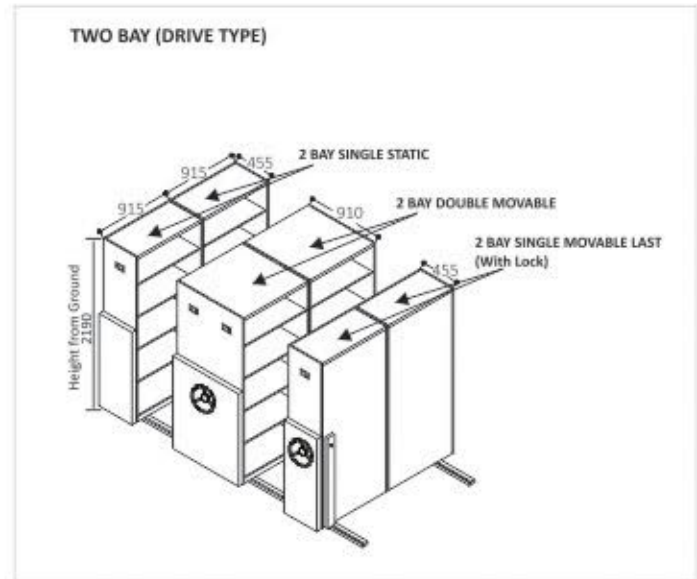
Cache Series

ONE BAY (DRIVE TYPE)



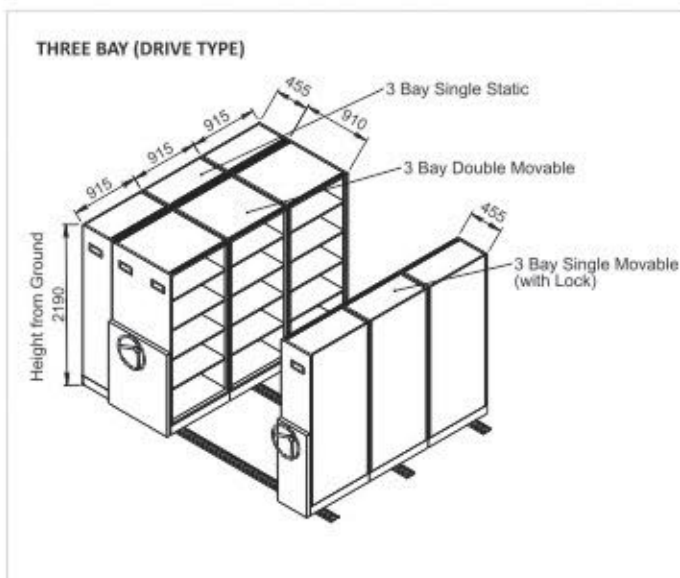
Cache- 9

TWO BAY (DRIVE TYPE)



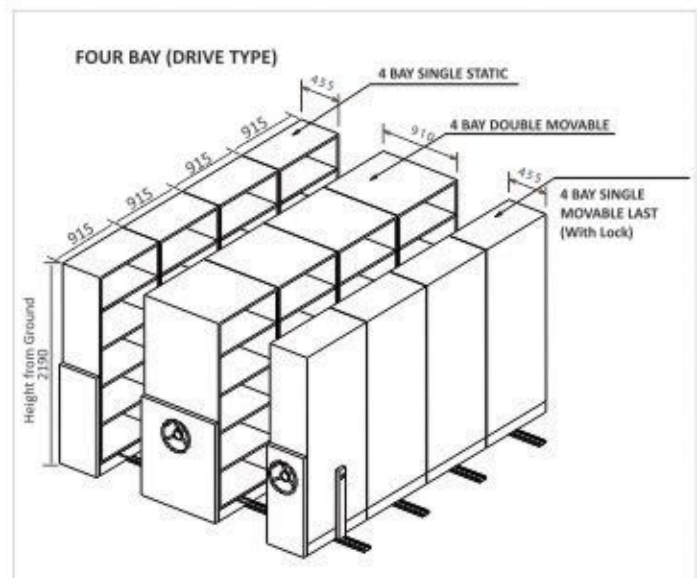
Cache-10

THREE BAY (DRIVE TYPE)



Cache- 11

FOUR BAY (DRIVE TYPE)



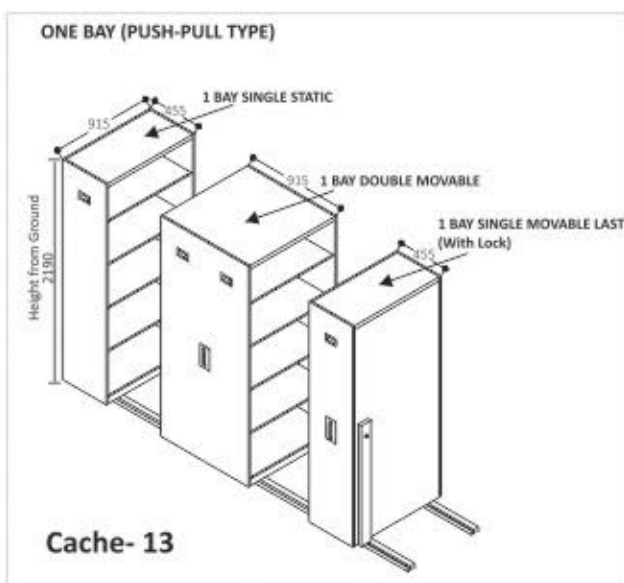
Cache- 12

Push Pull Type Compactors



The system can be opened by pushing handles left or right. Ideal for smaller, low activity, limited-access storage areas.

ONE BAY (PUSH PULL TYPE)



TWO BAY (PUSH PULL TYPE)

